

# ASSEMBLY INSTRUCTION

TB-O7ODT

RECTANGULAR DINING TABLE

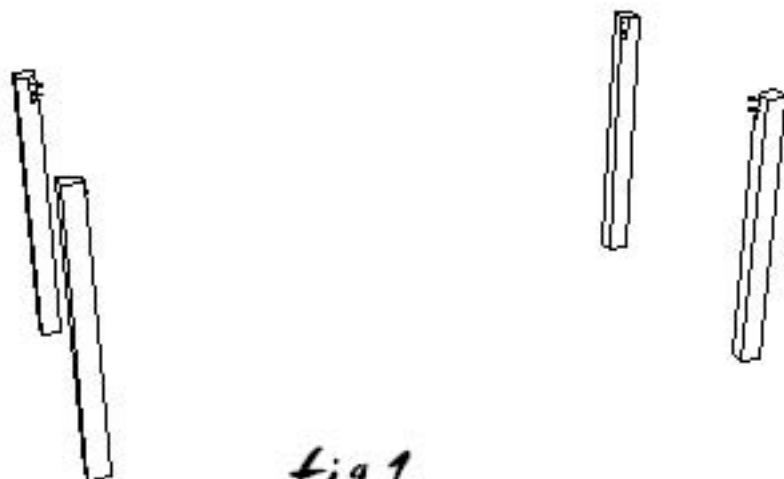


fig 1.

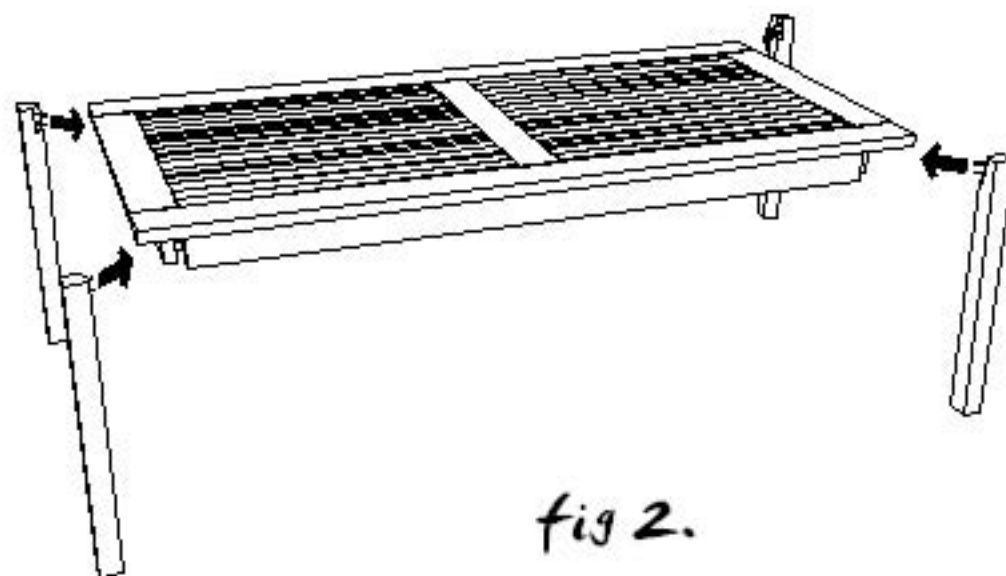


fig 2.

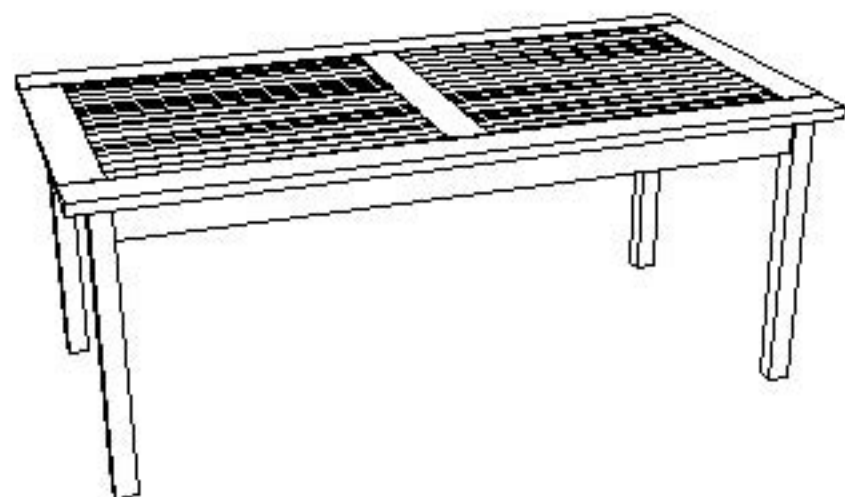


fig 3.

Parts : 4 pcs legs, 1 pc top table

Hardware packs

► bolt to clamp the table

Tools requirment

► bolt driver (not supplied)

Assembling

1. Prepare a leg. ( Fig. 1 )
2. Insert the legs into the table. ( Fig. 2 )
3. Tighten the bolt ( under the table ) of the legs.